

## Halogen (75-130 V) with Reflector

Offering a broad portfolio of high quality reflector halogen lamps used in the stage and studio markets



### Areas of application

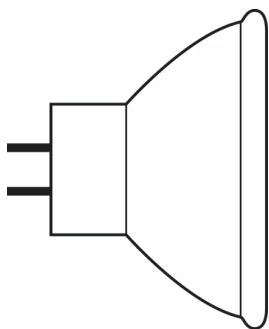
- Stage & Theatre
- Studio, TV, & Film
- Professional Photography
- Club & Disco

### Product features and benefits

- Robust construction for reliable, lasting performance
- Consistent color over the life of the lamps
- Instant on and nearly constant luminous flux over the life of the lamp
- Broad product portfolio supporting the stage and studio markets
- Dimmable with traditional amber shift

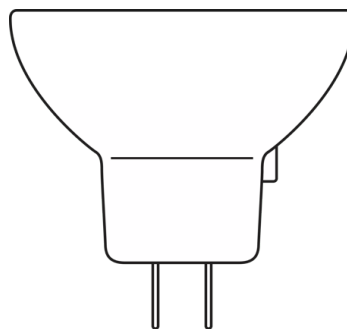


## Product family datasheet



---

Halogen Lamp with reflector MR16



---

HALOGEN LAMP WITH REFLECTOR 64255

## Product family datasheet

### Technical data

| Product description            | General Product Information | Electrical Data |                 | Photometric Data      |
|--------------------------------|-----------------------------|-----------------|-----------------|-----------------------|
|                                | ANSI code                   | Nominal wattage | Nominal voltage | Nominal luminous flux |
| 93506 250 W 120 V              | ENH                         | 250 W           | 120 V           | 340 lm                |
| 93520 300 W 82 V <sup>1)</sup> | FHS                         | 300 W           | 82.0 V          | 650 lm                |
| 93518 300 W 120 V              | ELH                         | 300 W           | 120 V           | 525 lm                |

| Product description            | Color temperature | Color rendering index Ra | Focal length | Physical Attributes & Dimensions |
|--------------------------------|-------------------|--------------------------|--------------|----------------------------------|
|                                |                   |                          |              | Lamp base                        |
| 93506 250 W 120 V              | 3150 K            | 100                      | 152.5 mm     | GY5.3                            |
| 93520 300 W 82 V <sup>1)</sup> |                   | 100                      | 152.5 mm     | GX5.3                            |
| 93518 300 W 120 V              |                   | 100                      | 152.5 mm     | GY5.3                            |

| Product description            | Operating Conditions | Lifetime Data    | Environmental & Regulatory Information<br>Information according Art. 33 of EU<br>Regulation (EC) 1907/2006 (REACH) |                                    |
|--------------------------------|----------------------|------------------|--|------------------------------------|
|                                | Burning position     | Nominal lifetime | Primary article identifier   | Declaration no. in SCIP database   |
| 93506 250 W 120 V              | s90                  | 175 hr           | 4050300349930  | No declarable substances contained |
| 93520 300 W 82 V <sup>1)</sup> | s90                  | 70 hr            | 4050300350196  | No declarable substances contained |
| 93518 300 W 120 V              | s90                  | 35 hr            | 4050300350059  | No declarable substances contained |

| Product description            | Candidate list substance 1         |
|--------------------------------|------------------------------------|
| 93506 250 W 120 V              | No declarable substances contained |
| 93520 300 W 82 V <sup>1)</sup> | No declarable substances contained |
| 93518 300 W 120 V              | No declarable substances contained |

<sup>1)</sup> Available on request

## Product family datasheet

---

### Safety advice

To prevent personal injury or damage to property, halogen lamps may only be operated in suitable luminaires designed with suitable mechanisms (protective shields, grids, etc.) to ensure that in the event of a lamp bursting no parts/shards can escape and that during operation no ultraviolet radiation can escape. There must also be a warning sign to indicate that the lamps give off high levels of heat. Detailed information is available on request.

---

### Application advice

For more detailed application information and graphics please see product datasheet.

---

### Disclaimer

Subject to change without notice. Errors and omission excepted. Always make sure to use the most recent release.